

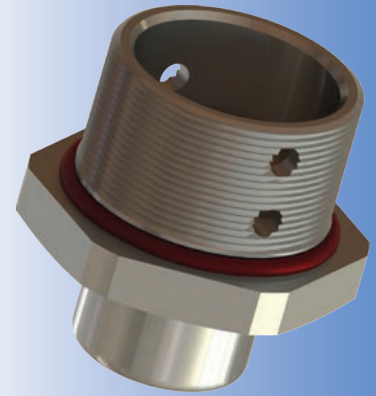
Drain Plugs, Metal

Drain Plugs

- Drains condensed water in the housing.
- Helps to avoid any potential damage to sensitive electric/electronic equipment in the housing due to condensed water.
- Also allows air in the housing to breathe with the surrounding atmosphere.

Technical Details

Material	Body	Brass, Brass Nickel Plated, Stainless Steel
	Bushing	Bronze
	O-ring	Silicone
Ingress Protection Rating		IP 68 - 5 Bar, 30 min
		IP 66
Operating Temperature	Seal Material	Silicone
		-60°C to +85°C
Thread Type		Metric (M) EN 60423 NPT (N) ANSI ASME B1.20.1
Accessories		• Lock nuts • Gaskets
	Remarks	• We recommend to use of lock nuts and gaskets to ensure IP rating for rough surfaces or through holes. • All accessories must be ordered separately. • O-ring available in Metric threads.



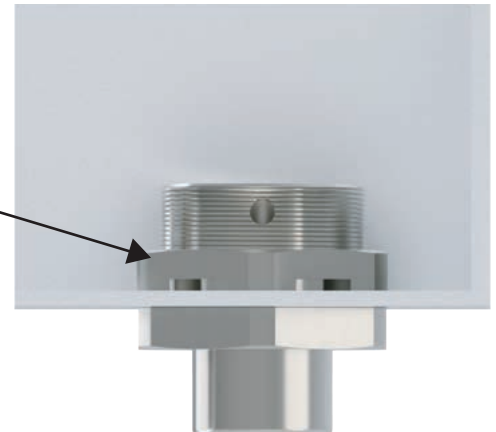
Ideally it should be located at the lowest point of the housing to ensure optimum draining.

Threaded Hole



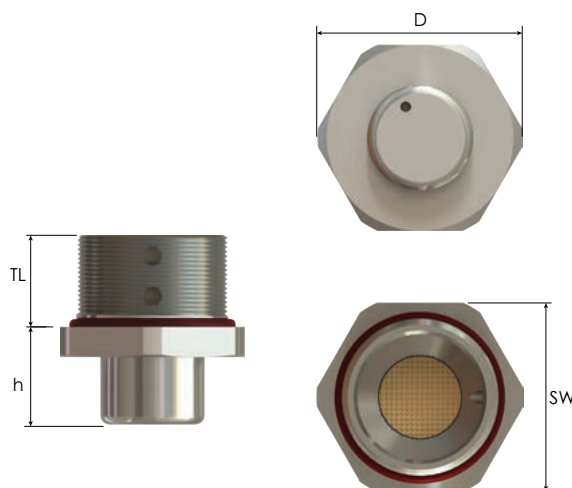
Non-Threaded Hole

Special Lock Nut
for Drain Plug



Order Coding				
Part Number	Material	Seal	-	Lock Nut
Mandatory	Mandatory	Mandatory	-	Option
See table	B Brass BN Brass Nickel Plated X Stainless Steel	S Silicone	-	L Lock Nut
Example				
IBDRV-1M	BN	S	-	L

Drain Plugs, Metal

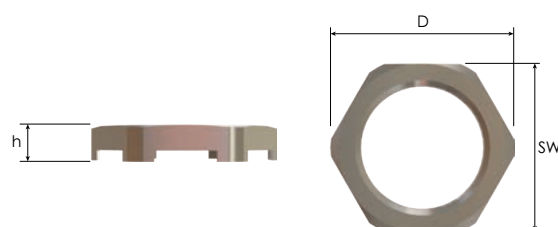
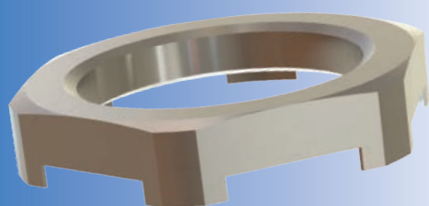


Thread Type **METRIC** acc. to EN 60423

Outer Thread Size (Male)	Outer Thread Length	Spanner Width	Outer Ø		Height	Part Number
	TL mm		SW mm	D mm	h mm	
M20x1,5	15,0	25	27,5	16,0		IBDRV-1M
M25x1,5	15,0	30	33,0	16,0		IBDRV-2M

Thread Type **NPT** acc. to ANSI ASME B1.20.1

Outer Thread Size (Male)	Outer Thread Length	Spanner Width	Outer Ø		Height	Part Number
	TL mm		SW mm	D mm	h mm	
NPT 1/2"	16,0	25	27,5	16,0		IBDRV-1N
NPT 3/4"	16,0	30	33,0	16,0		IBDRV-2N



Special Lock Nuts for Drain Plugs

Outer Thread Size (Male)	Spanner Width		Outer Ø		Height	Part Number
	SW mm	D2 mm	h mm			
M20x1,5	25	27,5	5,0		BDRL-03	
M25x1,5	30	33,0	5,0		BDRL-04	
NPT 1/2"	25	27,5	5,0		BDRLN-03	
NPT 3/4"	30	33,0	5,0		BDRLN-04	